

AG | A L L U R I N G
G L A S S

Glass and Handles
Reference Guide

Glass Reference Guide

3/8" Clear Glass



Glass Reference Guide

3/8" Low Iron Glass



Photo represents 3/8 Clear on left side and 3/8 Low Iron on right side

Glass Reference Guide

3/8" Acid Etch Glass



3/8 Acid Etch
Lighting effects the color of glass

Glass Reference Guide

3/8" Rain Glass



Handle Reference Guide

All handles listed are readily available in Polish Chrome, Oil Rubbed Bronze, Brushed Nickel and Matte Black. Other colors are available, however, expect added cost and possibly lead times.



Deluxe Back to Back Handle

- 6" Deluxe Solid Back to Back Handles w/ Washers
- 8" Deluxe Solid Back to Back Handles w/Washers



Circular Back to Back Handles

- 6" Circular Back to Back Thru-Glass Handles

Handle Reference Guide



"H" Style Back to Back Handles

- 12" H Style Back to Back Handles (12" from hole to hole, entire length is 16")
- 8" H Style Back to Back Handles (12" from hole to hole, entire length is 12")
- 6" H Style Back to Back Handles (12" from hole to hole, entire length is 10")

Arch Style Back to Back Handle

- 8" Arch Style Back-to-Back Handles

Handle Reference Guide



Antique Style Back to Back Handles

- 6" Antique Style Back to Back Handles
- 8" Antique Style Back to Back Handles



Ergonomic Style Back to Back Handle

- 6" Ergonomic Style Back to Back Handles
- 10" Ergonomic Style Back to Back Handles

Handle Reference Guide



Mitered Style Back to Back Handle

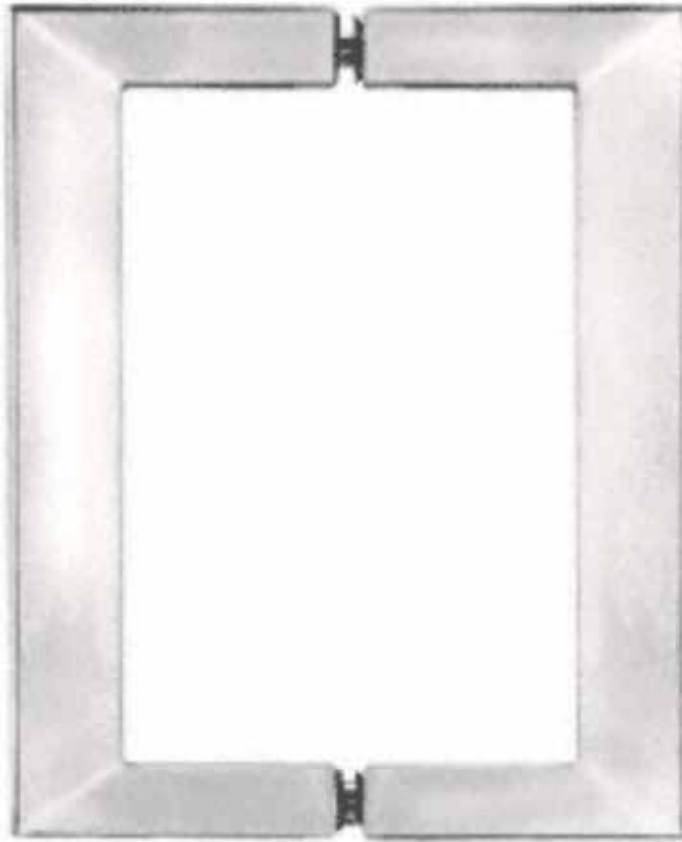
- 6" Mitered Style Back to Back Handles w/Washers
- 8" Mitered Style Back to Back Handles w/Washers



Traditional Series Solid Back to Back Handle

- 6" Traditional Series Solid Back to Back Handles
- 8" Traditional Series Solid Back to Back Handles

Handle Reference Guide



Square Style Back to Back Handles

- 6" Square Style Back to Back Handles
- 8" Square Style Back to Back Handles

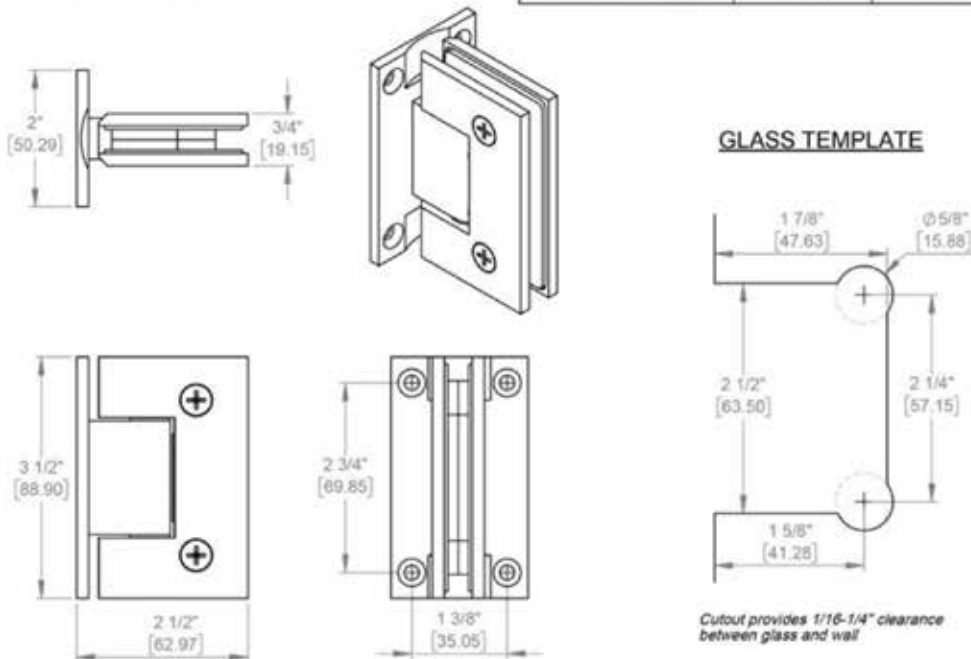
Taiga Standard Duty Wall/Glass Hinge

TAIGA STANDARD DUTY 90° WALL/GLASS HINGE

Product Code: TAG81141

portals
heavy hardware & accessories

	2 Hinges	3 Hinges
Max Door Width	28"	32"
Max Door Weight	80 lbs	120 lbs



MATERIALS

Solid brass body, stainless steel fasteners and springs, and clear polyurethane gaskets.

FEATURES

- Integrated clear gaskets are compatible with 3/8" and 1/2" glass
- Reversible pivot pin can be set to close at 90° or offset the close position 5° inward (see portalshardware.com/technical for instructions)
- Self-closing from ~25°
- Scalloped recess in backplate minimizes wall-to-glass gap

CARE

Portals products should be cleaned with water and dried with a soft cloth. Use of harsh or abrasive chemicals may harm finish and will void the warranty.

portals 925 Lydia Ave Kansas City, MO 64106 ph: 816.942.7413

www.portalshardware.com email@portalshardware.com

7/26/2016

AG | A L L U R I N G
G L A S S

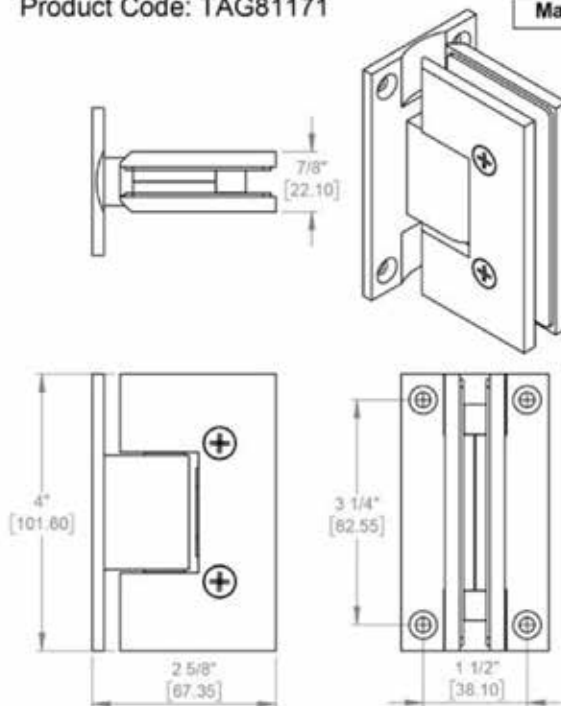
Taiga Heavy Duty Wall/Glass Hinge

TAIGA HEAVY DUTY 90° WALL/GLASS HINGE

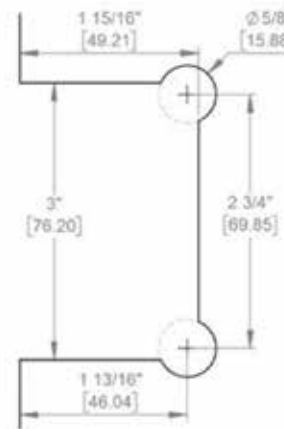
Product Code: TAG81171

portals
luxury hardware & accessories

	2 Hinges	3 Hinges
Max Door Width	36"	38"
Max Door Weight	110 lbs	150 lbs

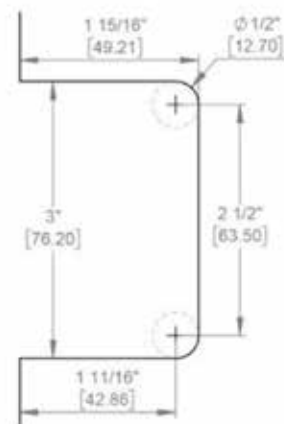


Option A: "Mouse ear" cutout



Cutouts provide 1/16-1/4" clearance between glass and wall

Option B: Rectangular cutout



MATERIALS

Solid brass body, stainless steel fasteners and springs, and clear polyurethane gaskets.

FEATURES

- Removable steel pins within hinges allow choice between "mouse ear" and rectangular glass cutouts
- Integrated clear gaskets are compatible with 3/8" and 1/2" glass
- Reversible pivot pin can be set to close at 90° or offset the close position 5° inward (see portalshardware.com/technical for instructions)
- Self-closing from ~25°
- Scalloped recess in backplate minimizes wall-to-glass gap

CARE

Portals products should be cleaned with water and dried with a soft cloth. Use of harsh or abrasive chemicals may harm finish and will void the warranty.

portals 925 Lydia Ave Kansas City, MO 64106 ph: 816.942.7413

www.portalshardware.com email@portalshardware.com

7/26/2016

Mitigation of Outages

Option #1

1/16" Tolerance (with elbows)

Option #2

1/4" Tolerance (without elbows)

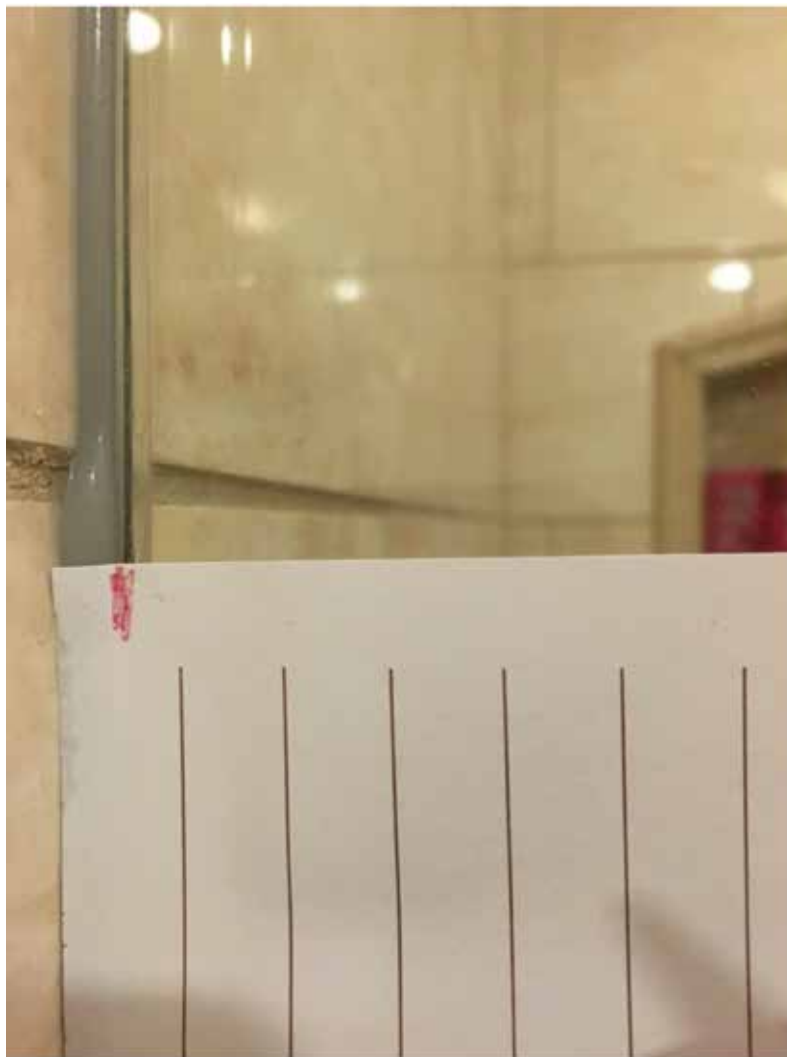


Photo taken a distance of 3"

Mitigation of Outages



Photo taken a distance of 3'



Photo taken a distance of 6'

Frameless Door Costs

Ballpark Cost installed:

(Clear Glass, ORB, BN, Matte Black or Chrome)

3/8" Frameless Door
\$1250ish

3/8" Frameless Door & Panel (48-60 wide)
\$1800ish
(add \$200 for Glass to Glass or Header)

3/8" Frameless Door, Panel, Return
\$2400ish
(add \$200 for Glass to Glass or Header)

1/4" Bypass Sliders
(48-60 Wide)
Pre-fabbed Kit \$925ish
Completely custom \$1300ish

**** 3/8" Acid Etch/Frost, Rain Glass, add \$125 per panel.

Fully Framed Slider

3/16" Glass
\$1200 Range



Fully Framed Enclosure

3/16" Glass
\$2000 Range



Glass To Glass

(Door hinged adjacent panel)

Clamps are needed on the stationary panel to support the weight of the door
\$2300 Range



Completely Custom Heavy Glass Frameless Sliders (AKA Barn Doors)

(One Operable Panel)

\$2800 Range



Notice there is no vertical metal on the sides or horizontal metal on the bottom, as you would find in box stores. While this eliminates adjustability, it adds to the customized fit and finish, clients prefer.

AG | A L L U R I N G
G L A S S

Completely Custom Heavy Glass Frameless Sliders (AKA Barn Doors)

(Two Operable Panels)

\$2800 Range



Notice there is no vertical metal on the sides or horizontal metal on the bottom, as you would find in box stores. While this eliminates adjustability, it adds to the customized fit and finish, clients prefer.

AG | A L L U R I N G
G L A S S

Completely Custom Heavy Glass Frameless Sliders (AKA Barn Doors)

(Two Operable Panels)

\$3300 Range



Notice there is no vertical metal on the sides or horizontal metal on the bottom, as you would find in box stores. While this eliminates adjustability, it adds to the customized fit and finish, clients prefer.